



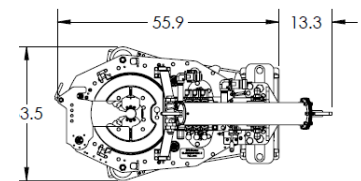
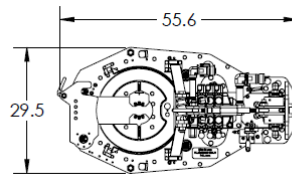
# STARR 6-1/4" SPECIFICATIONS

POWER TONGS

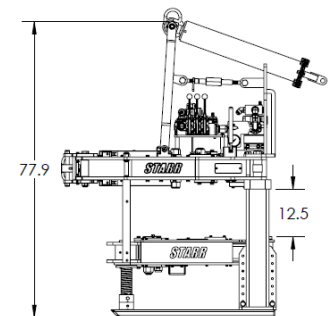
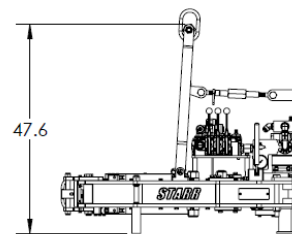


TORQUE - Rineer 15IN <sup>3</sup> 35K Tong					RPM - Rineer 15IN <sup>3</sup> 35K Tong				
Press.	Speed 1	Speed 2	Speed 3	Speed 4	GPM	Speed 1	Speed 2	Speed 3	Speed 4
PSI	ft-lb.	ft-lb.	ft-lb.	ft-lb.					
2000	28,360	5,002	14,180	2,501	20	3.1	17.7	6.2	35.3
2250	31,905	5,628	15,953	2,814	40	6.2	35.3	12.5	70.6
2500	35,450	6,253	17,725	3,126	60	9.3	53	18.7	105.9
2750	38,996	6,878	19,498	3,439	<b>NOTE – 2 Options Available</b> 6 1/4" 35 – (1 Handle – 2 Capped Valves) 6 1/4" 35-BR (Ready to Receive Backup)				
3000	42,541	7,503	21,270	3,752					

	Motor Shift	Tong Transmission Shift
Speed 1	Low Gear	Low Gear
Speed 2	Low Gear	High Gear
Speed 3	High Gear	Low Gear
Speed 4	High Gear	High Gear



	6-1/4" Tong	w/ Backup
Capacity	2 3/8" - 6 1/4"	2 3/8" - 6 1/4"
Width	29.5"	33.7"
Length	52.63"	55"
Height	47.6"	69.3"
Weight (lb.)	1,750lb	2850lb
Rated Pressure	2,500 psi	
Rated Torque	35,000 ft-lb.	
Handle Length	32.5"	



**TONG JAWS AVAILABLE: 2 1/16" – 6 1/4"**  
**BACKUP JAWS AVAILABLE: 2 3/8" – 6 1/4"**

(Other sizes available upon request)

Disclaimer: Technical Values are +/- 5% of Listed Values